



CAGE INSTALLATION INSTRUCTIONS



**SECURE
ENTERTAINMENT**

760.705.8628

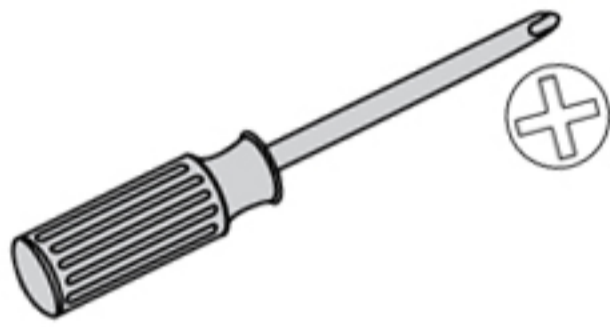
INFO@SECURE-ENTERTAINMENT.COM

THANK YOU FOR CHOOSING SECURE ENTERTAINMENT AS YOUR GAME CONSOLE SECURITY SOLUTION. PLEASE TAKE THE TIME TO READ THROUGH ALL INCLUDED MATERIAL BEFORE BEGINNING INSTALLATION.

CAUTION:

CHECK THE PACKAGE CONTENTS FOR SHIPPING DAMAGE BEFORE YOU BEGIN THE INSTALLATION.

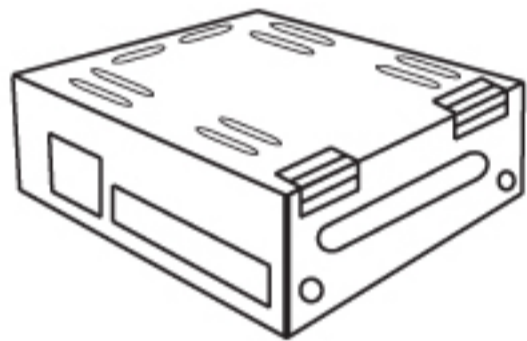
DEPENDING ON YOUR LOCATION OF INSTALLATION YOU MAY NEED:



3/32
INCH BIT



ITEMS INCLUDED IN PACKAGING:



CAGE

(DESIGN MAY VARY)



TWO SETS OF KEYS



4 MOUNTING SCREWS

WARNING:

ENSURE THAT STRUCTURE IS CAPABLE OF SUPPORTING THE TOTAL WEIGHT OF MOUNTED EQUIPMENT. MOUNTING TO SURFACES THAT DO NOT MEET THIS CRITERIA MAY RESULT IN AN UNSTABLE, UNSAFE CONDITION WHICH COULD LEAD TO PERSONAL INJURY AND/OR PROPERTY DAMAGE.

WARNING:

THE INSTALLER IS RESPONSIBLE FOR VERIFYING THAT THE SURFACE TO WHICH THE CAGE IS ANCHORED WILL SAFELY SUPPORT THE COMBINED LOAD OF ALL COMPONENTS OR OTHER EQUIPMENT ATTACHED THERETO.

INSTRUCTIONS CONTINUED ON REVERSE.



CAGE

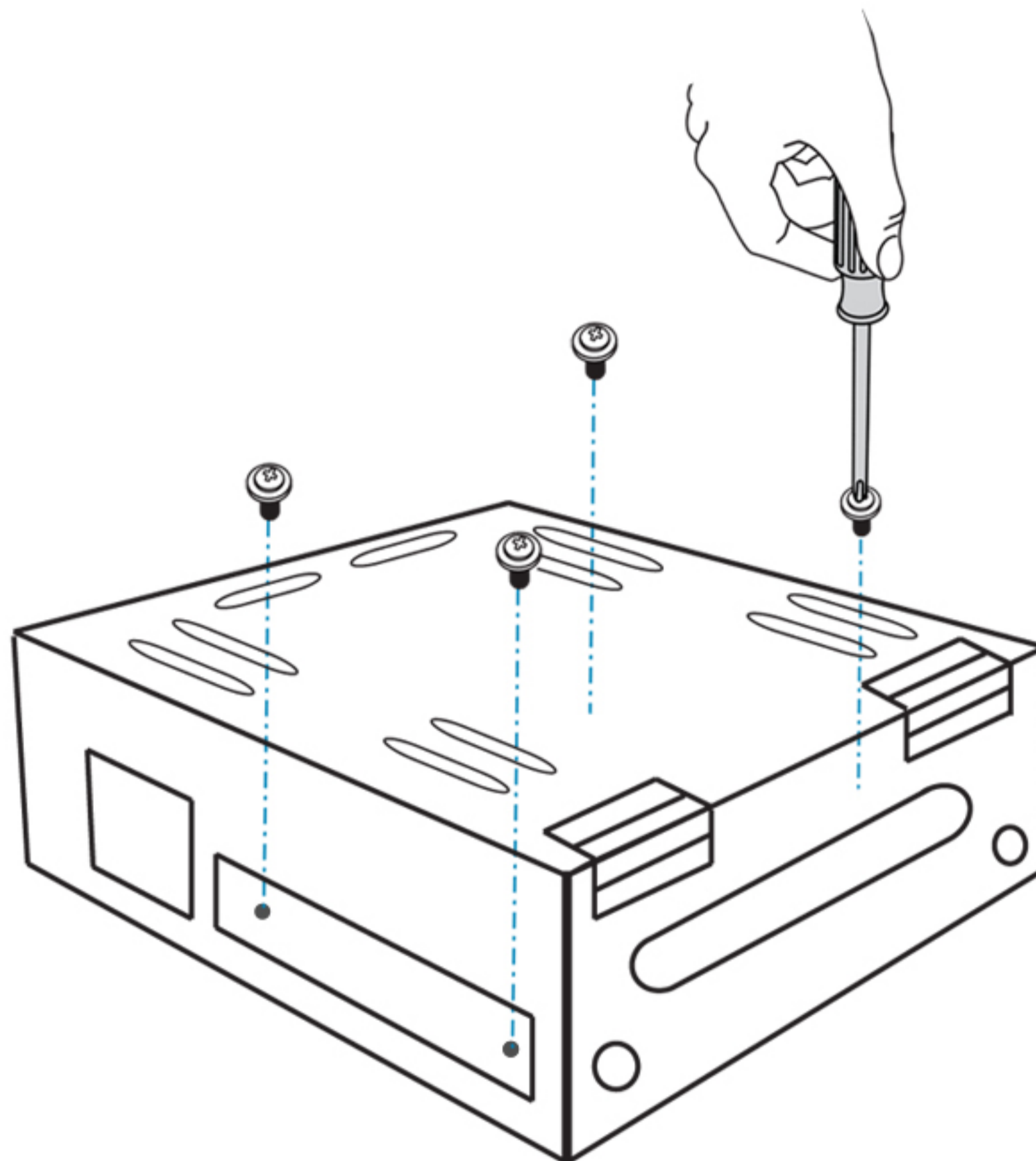
INSTALLATION INSTRUCTIONS



SECURE
ENTERTAINMENT

760.705.8628

INFO@SECURE-ENTERTAINMENT.COM



IMPORTANT

DO NOT OVERTIGHTEN SCREWS.

PREDRILL HOLES FOR SCREWS. USING THE SUPPLIED #6 SCREWS, SCREW THE CAGE DOWN THROUGH THE FOUR HOLES IN THE BASE WHILE PASSING THE SCREWDRIVER THROUGH THE VENTS IN THE TOP OF THE CAGE.

CARE INSTRUCTIONS

IMPORTANT

REMOVE GAME CONSOLE BEFORE CLEANING CAGE.

CLEAN CAGE WITH A NEUTRAL CLEANER SUCH AS A SOLUTION OF WATER AND A SMALL AMOUNT OF LIQUID DISHWASHING DETERGENT. APPLY THE SOLUTION GENEROUSLY TO A SPONGE OR SOFT CLOTH AND WIPE THE PLASTIC SURFACE GENTLY. IF THE CLOTH BECOMES DIRTY IN ONE SPOT, USE A CLEANER AREA ON THE CLOTH TO REDUCE SURFACE SCRATCHING FROM DIRT AND GRIT ABRASION. WIPE WITH PLENTY OF CLEAN WATER. DRY WITH A SOFT, LINT-FREE CLOTH.

DO NOT USE ANY CLEANER WITH ALCOHOL, AMMONIA (COMMON INGREDIENTS IN MANY WINDOW CLEANERS AND ALL-PURPOSE HOUSEHOLD CLEANERS) OR SOLVENTS SUCH AS ACETONE. THIS WILL RESULT IN HAZING, CRACKING OR PREMATURE WEAR.